



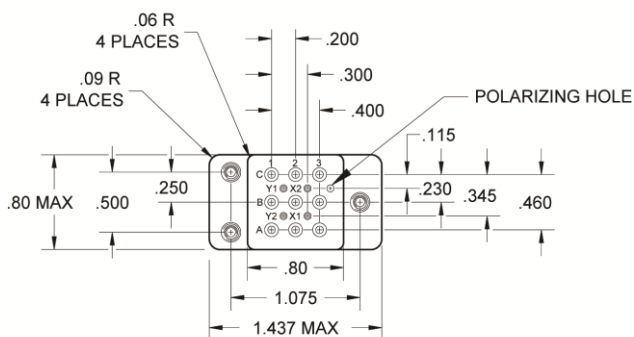
Basic socket series designation for:

Series YCL

Designed to the standards and requirements of:

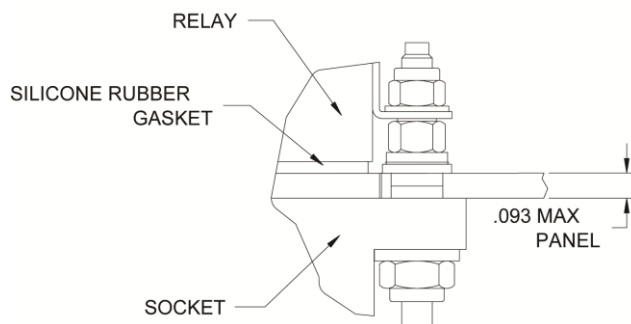
MIL-DTL-12883/46

SOCKET DRAWING

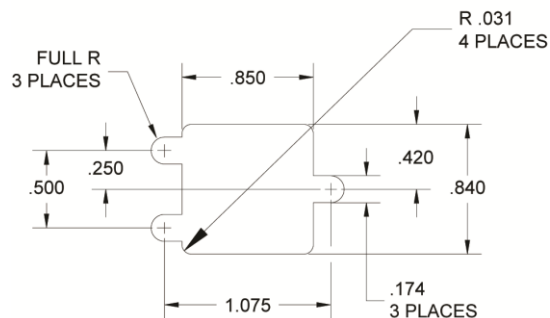
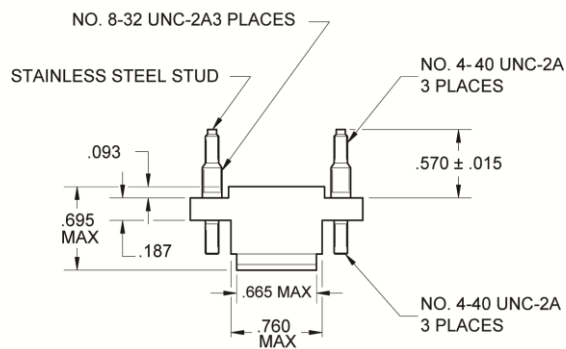


HARDWARE MOUNTING

MOUNTING DETAIL 3 PLACES



MOUNTING DIMENSIONS



GENERAL CHARACTERISTICS

1. Supplied with mounting hardware No. 16 contacts, and No. 16 crimp for power terminals; No. 20 contacts, No. 20 crimp for coil terminals.	
2. Standard tolerances	.xx ± .01; xxx ± .005
3. Weight	.055 lbs. max
4. Operating temperature	-65° C to +125° C
5. Special track and module system available. Please contact factory. See SM-1001-003.	